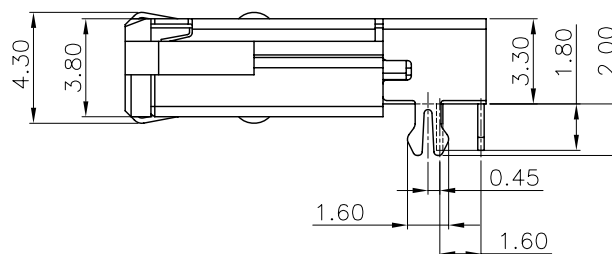
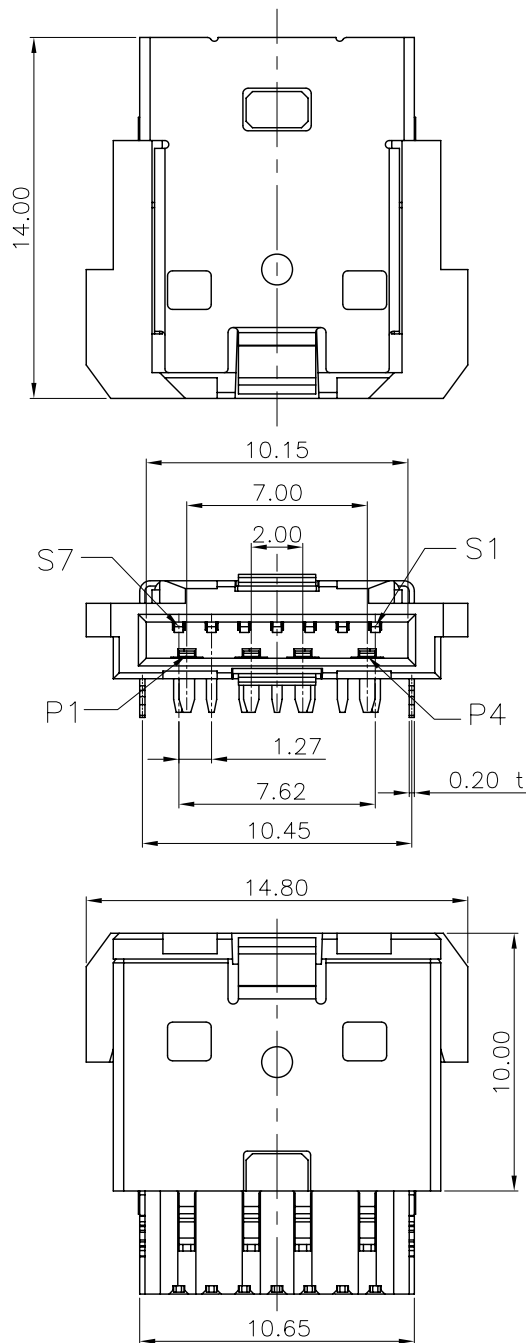


LEAD FREE C-DWG

REV.	ECN.NO.	MODIFY CONTENT	DATE
A			



Pin Definition:

USB		eSATA	
Name	Type	Name	Type
P1	VBUS	S1	GND
P2	D-	S2	A+
P3	D+	S3	A-
P4	GND	S4	GND
		S5	B-
		S6	B+
		S7	GND

NOTES:

1.MATERIAL:

- 1.1 HOUSING: HIGH TEMPERATURE THERAL PLASTIC,COLOR:(SEE P/N.)
- 1.2 CONTACT: COPPER ALLOY.
- 1.3 SHELL:COPPER ALLOY .

2.FINISH:

- 2.1 CONTACT: (SEE P/N.),50m" MIN. NICKEL UNDERPLATING OVER ALL

3.MECHANICAL:

- INSERTION FORCE:45N MAX/35N MAX
- WITHDRAWAL FORCE: 10N MIN
- DURABILITY:200/1500 CYCLES

4.ELECTRICAL SPEC:

- CURRENT RATING:1.5A
- INSULATION RESISTANCE:1000 MEGOHMS MIN

5. P/N DESCRIPTION :

1SF4 25 021 R K C 0
(1) (2) (3) (4) (5)

(1).PLATING:

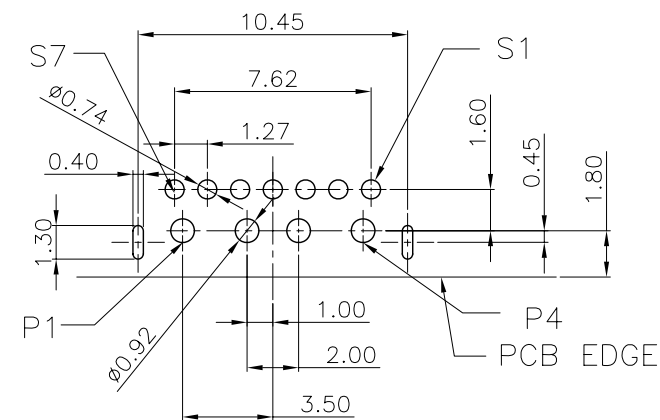
- 25:15u".GOLD IN CONTACT AREA/
100μ" MIN TIN IN SOLDER AREA.

(2).R: "R" :ROHS

(3).K: Color:"K":BLACK

(4).C: PACKING:C-TRAY WITHOUT CAP...

(5).0: NO OWP LOGO



RECOMMEND P.C.B LAYOUT(T=1.20mm)
P.C.B TOLERANCE ±0.05

GENERAL TOLERANCE		FILE.NO.	C1S080708-01	DRAWN	SCALE
X.±0.25	x.°±5°	TITLE	Monolayer eSATA+USB F R/A DIP Type	CHECKED	UNITS
.X±0.20	.x°±2°			APPROVED	mm
.XX±0.15	.xx°±1°	PART.NO.	1SF4XX021KXXX	DATE	
.XXX±0.05	.xxx°±0.5°	REV.	A		
SHEET	1/1	Q'TY		OVERSEA WIN TECHNOLOGY (HK) LIMITED	